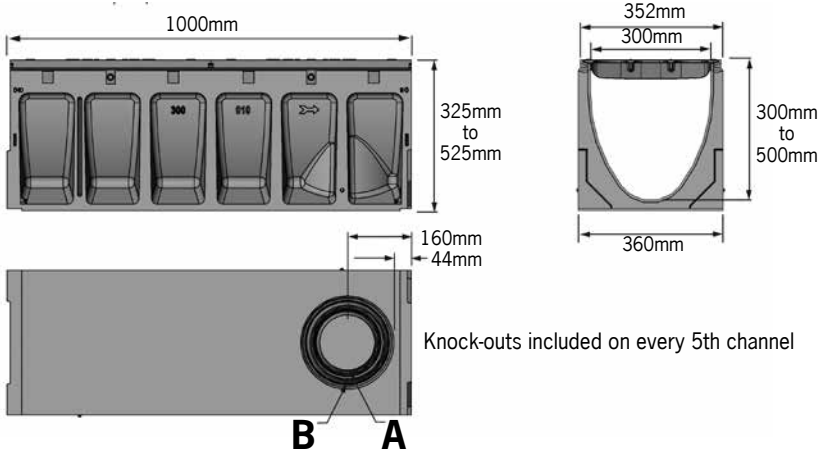
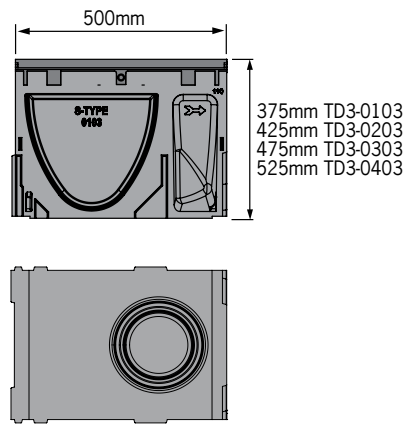




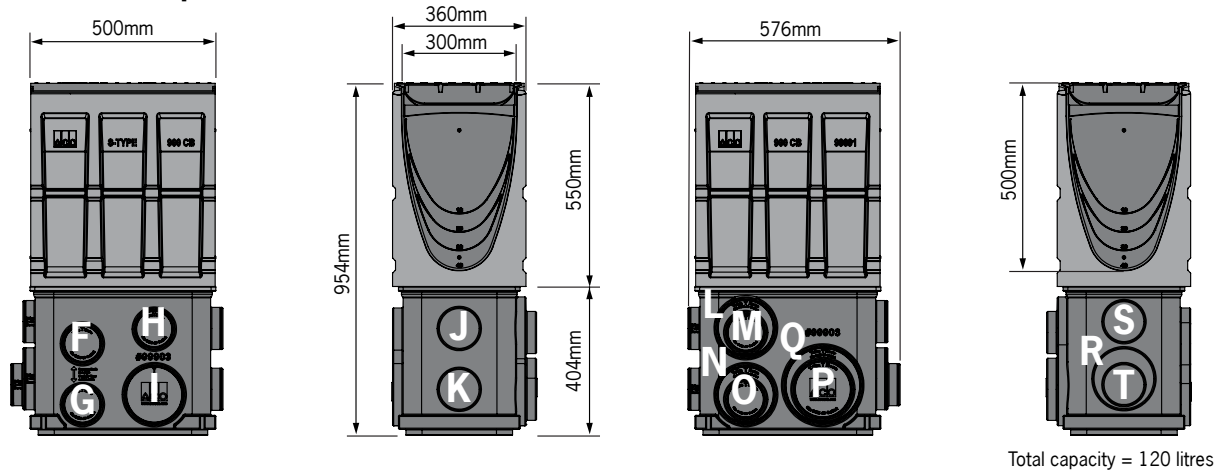
One metre channel



Half metre channel



TD3-903 In-line pit



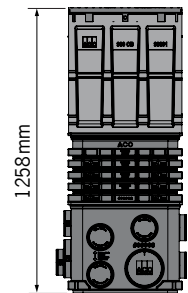
Outlet flow rates

Outlet	Product	Outlet size	Invert Depth (mm)	L/s
A	Bottom outlet - TD3-00	150mm round	300	27.9
A	Bottom outlet - TD3-040	150mm round	500	36.0
B	Bottom outlet - TD3-00	200mm round	300	49.5
B	Bottom outlet - TD3-040	200mm round	500	64.0
C	End outlet - TD3-00	150mm round	300	19.7
C	End outlet - TD3-040	150mm round	500	30.1
D	End outlet - TD3-010	200mm round	350	35.0
D	End outlet - TD3-040	200mm round	500	49.5
E	End outlet - TD3-020	250mm round	400	54.7
E	End outlet - TD3-040	250mm round	500	70.7
F	TD3-903	100mm round	757	18.3
G	TD3-903	100mm round	922	20.5
H	TD3-903	100mm round	717	17.8
I	TD3-903	150mm round	922	44.7
J	TD3-903	100mm round	721	17.8
K	TD3-903	100mm round	886	20.0
L	TD3-903	150mm round	740	39.1
M	TD3-903	100mm round	726	17.9
N	TD3-903	150mm round	922	44.7
O	TD3-903	100mm round	907	20.3
P	TD3-903	150mm round	907	44.3
Q	TD3-903	200mm round	922	76.8
R	TD3-903	150mm round	883	43.6
S	TD3-903	100mm round	702	17.5
T	TD3-903	100mm round	873	19.9

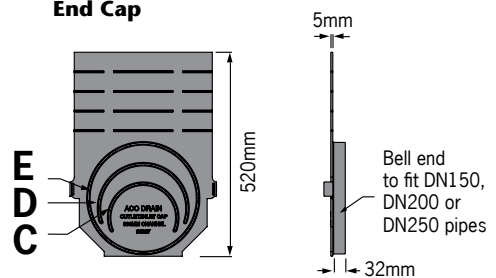
Note: These are the pipe flow rates at the specified outlet, NOT channel flow rates. In-line pit flow rates are without rubbish basket - using rubbish basket reduces flow.

TD3-903 In-line pit with riser

- Notes:
- Riser can be cut down in 25mm increments.
  - Maximum capacity including riser 160 litres.
  - Add 300mm to all heights if using riser.
  - Outlet flow rates will be higher due to increased depth. Contact ACO Sales Office for more details.



End Cap





Description	Part No.	Invert <sup>2</sup> (mm)	Weight (kg)
<b>TD3-00 Neutral channel - (1m)<sup>1</sup></b>	<b>149041</b>	<b>300</b>	<b>59.1</b>
TD3-1 Sloped channel - (1m)	149001	305	59.1
TD3-2 Sloped channel - (1m)	149002	310	59.6
TD3-3 Sloped channel - (1m)	149003	315	60.2
TD3-4 Sloped channel - (1m)	149004	320	60.7
TD3-5 Sloped channel - (1m) <sup>1</sup>	149005	325	61.3
TD3-6 Sloped channel - (1m)	149006	330	61.9
TD3-7 Sloped channel - (1m)	149007	335	62.4
TD3-8 Sloped channel - (1m)	149008	340	63.0
TD3-9 Sloped channel - (1m)	149009	345	63.5
TD3-10 Sloped channel - (1m) <sup>1</sup>	149010	350	64.1
<b>TD3-010 Neutral channel - (1m)<sup>1</sup></b>	<b>149042</b>	<b>350</b>	<b>64.1</b>
<b>TD3-0103 Neutral channel - (0.5m)<sup>1</sup></b>	<b>149045</b>	<b>350</b>	<b>35.3</b>
TD3-11 Sloped channel - (1m)	149011	355	64.6
TD3-12 Sloped channel - (1m)	149012	360	65.2
TD3-13 Sloped channel - (1m)	149013	365	65.8
TD3-14 Sloped channel - (1m)	149014	370	66.3
TD3-15 Sloped channel - (1m) <sup>1</sup>	149015	375	66.9
TD3-16 Sloped channel - (1m)	149016	380	67.4
TD3-17 Sloped channel - (1m)	149017	385	68.0
TD3-18 Sloped channel - (1m)	149018	390	68.5
TD3-19 Sloped channel - (1m)	149019	395	69.1
TD3-20 Sloped channel - (1m) <sup>1</sup>	149020	400	69.7
<b>TD3-020 Neutral channel - (1m)<sup>1</sup></b>	<b>149044</b>	<b>400</b>	<b>69.7</b>
<b>TD3-0203 Neutral channel - (0.5m)<sup>1</sup></b>	<b>149047</b>	<b>400</b>	<b>38.5</b>
TD3-21 Sloped channel - (1m)	149021	405	70.2
TD3-22 Sloped channel - (1m)	149022	410	70.8
TD3-23 Sloped channel - (1m)	149023	415	71.4
TD3-24 Sloped channel - (1m)	149024	420	71.9
TD3-25 Sloped channel - (1m) <sup>1</sup>	149025	425	72.4
TD3-26 Sloped channel - (1m)	149026	430	73.0
TD3-27 Sloped channel - (1m)	149027	435	73.6

Description	Part No.	Invert <sup>2</sup> (mm)	Weight (kg)
TD3-28 Sloped channel - (1m)	149028	440	74.1
TD3-29 Sloped channel - (1m)	149029	445	74.7
TD3-30 Sloped channel - (1m) <sup>1</sup>	149030	450	75.3
<b>TD3-030 Neutral channel - (1m)<sup>1</sup></b>	<b>149046</b>	<b>450</b>	<b>75.3</b>
<b>TD3-0303 Neutral channel - (0.5m)<sup>1</sup></b>	<b>149049</b>	<b>450</b>	<b>41.8</b>
TD3-31 Sloped channel - (1m)	149031	455	75.8
TD3-32 Sloped channel - (1m)	149032	460	76.4
TD3-33 Sloped channel - (1m)	149033	465	76.9
TD3-34 Sloped channel - (1m)	149034	470	77.5
TD3-35 Sloped channel - (1m) <sup>1</sup>	149035	475	78.1
TD3-36 Sloped channel - (1m)	149036	480	78.6
TD3-37 Sloped channel - (1m)	149037	485	79.2
TD3-38 Sloped channel - (1m)	149038	490	79.7
TD3-39 Sloped channel - (1m)	149039	495	80.3
TD3-40 Sloped channel - (1m) <sup>1</sup>	149040	500	80.8
<b>TD3-040 Neutral channel - (1m)<sup>1</sup></b>	<b>149048</b>	<b>500</b>	<b>80.8</b>
<b>TD3-0403 Neutral channel - (0.5m)<sup>1</sup></b>	<b>149050</b>	<b>500</b>	<b>45.5</b>
TD3-903 In-line pit (0.5m) <sup>3</sup>	142688	954 <sup>4</sup>	39.9
Type 900 In-line plastic rubbish basket	98653	-	1.6
Optional plastic riser	141729	300	4.5
Plastic rubbish basket - long	98665	-	1.8
TD3-614 In-line pit (0.5m) <sup>3</sup>	142689	1261 <sup>4</sup>	103.2
Universal end cap	96827	520 <sup>4</sup>	1.1
Installation device	97479	-	2.2
Grate removal tool	01318	-	0.1
PowerLok safety clip	10443	-	-

**Notes:**

1. This channel offers bottom knockout feature; 150mm and 200mm round.
2. Inverts shown are male end, for female invert depths – subtract 5mm from male invert (except neutral channels where it will be the same as the male invert). To calculate overall channel depth, add 25mm to invert depth.
3. In-line pit assembly (polymer concrete top with ductile iron edge rail and base).
4. Overall depth of in-line pit and end cap.

**Specifications**

The surface drainage system shall be ACO's TrafficDrain TD300 polymer concrete V-profile channel system with ductile iron edge rails as manufactured by ACO.

**Channels**

TD300 channel shall be 300mm nominal internal width with an overall width of 360mm. Channel invert shall have a V-profile to allow efficient drainage and channel walls shall have deep pockets and vertical ribs for mechanical keying. TD300 sloped channels shall have a built-in slope of 0.5%. All channels shall be interlocking with a male/female joint and have provisions for the installation device.

**Grates**

Insert specification for the selected grate. Refer to the relevant ACO Specification Information sheet, at: <http://www.acoaus.com.au/infrastructure>

**Installation**

The complete drainage system shall be by ACO and to be installed for its intended purpose. Any deviation or partial use of the specified system and/or improper installation will void all warranties provided by ACO.

**Materials**

TD300 channel shall be manufactured from polyester resin polymer concrete with integrally cast-in ductile iron edge rails with anti-shunt lugs.

Properties of polymer concrete will be as follows with supporting documentation:

Compressive Strength:	98 MPa
Flexural Strength:	26 MPa
Tensile Strength:	14 MPa
Water Absorption:	0.07%
Frost Proof:	YES
Coefficient of Expansion and Contraction:	2.02x10 <sup>-5</sup> /°C
Water Vapour Transmission:	0.0364g/m <sup>2</sup>
Non Flammable:	YES
Roughness (Mannings):	n=0.011
Resistant to Weathering:	YES
Dilute Acid and Alkali Resistant:	YES
SF Sealant Groove:	YES

**ACO Pty Ltd**  
Australia  
Ph: 1300 765 226  
[www.acoinfrastructure.com.au](http://www.acoinfrastructure.com.au)  
[sales@acoaus.com.au](mailto:sales@acoaus.com.au)

**ACO Limited**  
New Zealand  
Ph: 0800 448 080  
[www.acoinfrastructure.co.nz](http://www.acoinfrastructure.co.nz)  
[sales@aconz.co.nz](mailto:sales@aconz.co.nz)



© July, 2017 ACO Polycrete Pty Ltd. All reasonable care has been taken in compiling the information in this document. All recommendations and suggestions on the use of ACO products are made without guarantee since the conditions of use are beyond the control of the company. It is the customer's responsibility to ensure that each product is fit for its intended purpose and that the actual conditions are suitable. ACO Polycrete Pty Ltd. pursues a policy of continuous product development and reserves the right to amend specifications without notice.