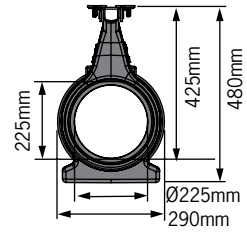
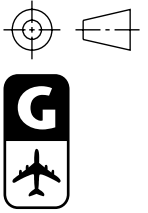
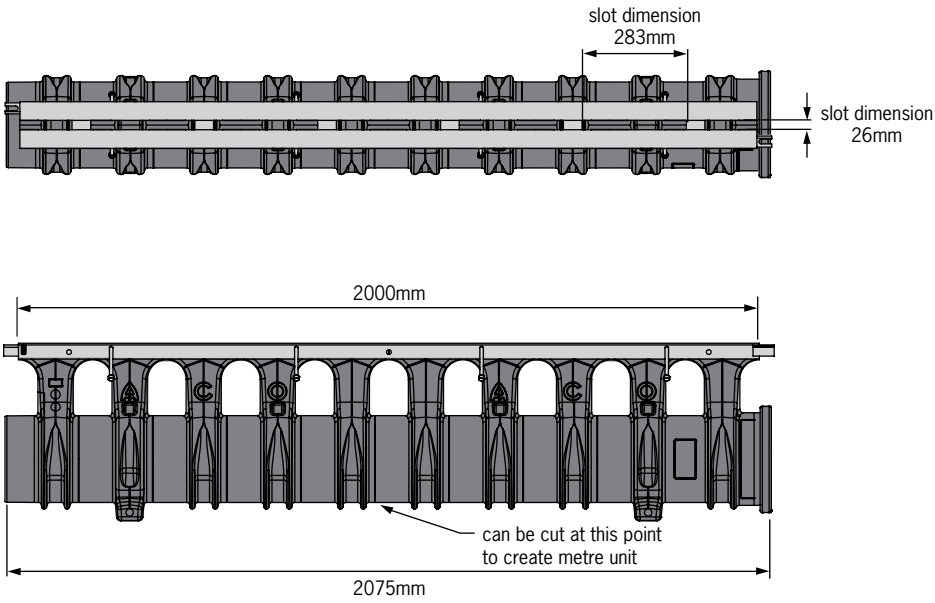
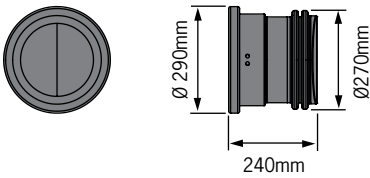


**Qmax - 225 channel with Q-Flow galvanised steel slot**

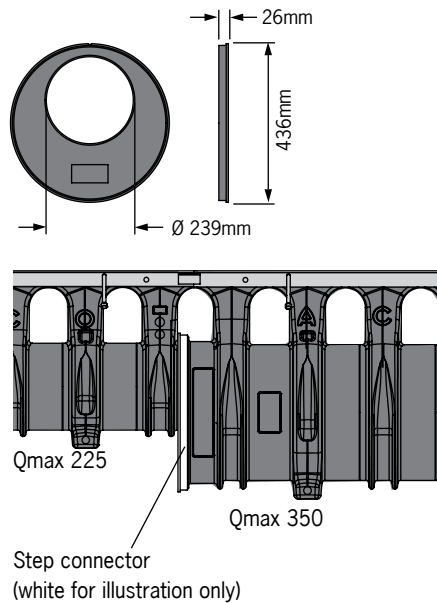
**Two metre channel**



**End cap**



**Qmax 225 to Qmax 350 step connector**



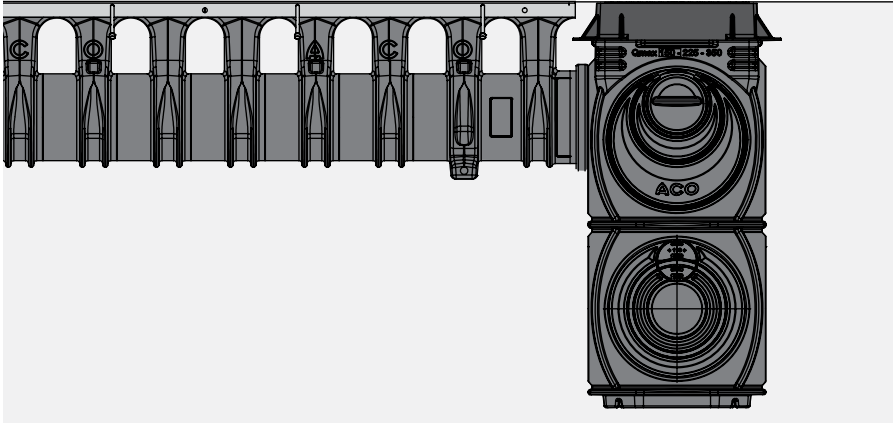
*ACO Specification Information*



ACO Specification Information

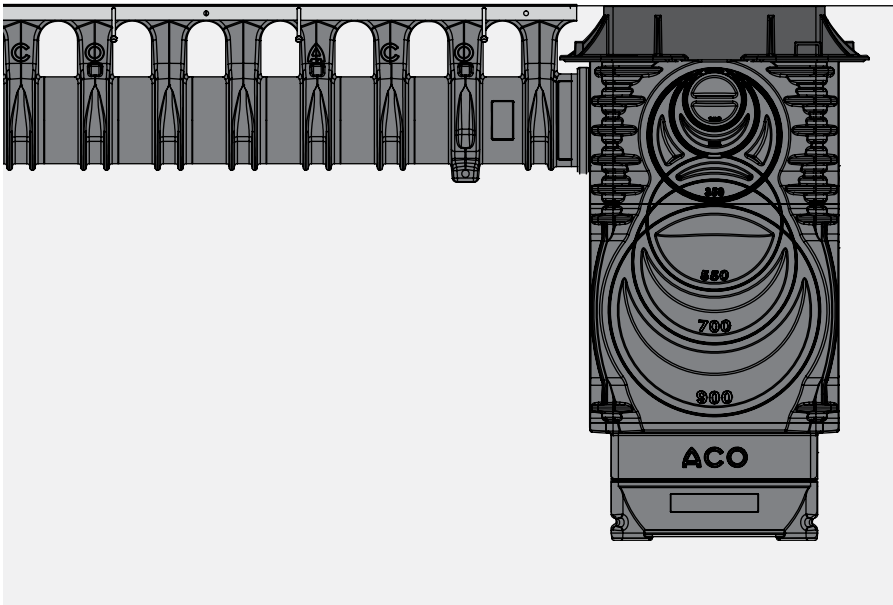
Description	Part	Invert	Wgt
	No	mm	kg
Qmax 225 channel with Q-Flow galvanised steel slot - 2m	32802	425	17.8
<b>Accessories</b>			
Qmax 225 End cap - 0.24m	42221	-	1.4
Qmax 225 to Qmax 350 Step connector - 0.025m	32880	-	0.8

**Typical Qmax 225 connection to pit**



Qmax 225 channel

Qmax 225/350 Pit -see appropriate Spec Info



Qmax 225 channel

Qmax Universal Pit -see appropriate Spec Info

**Specifications**

*General*

The surface drainage system shall be ACO Qmax 225 with galvanised steel Q-Flow top as manufactured by ACO Pty Ltd. or equal approved.

*Materials*

The trench system bodies shall be manufactured from medium density polyethylene with:

Compressive strength: 58,250 kN/m<sup>2</sup>  
 Flexural strength: 15,350 kN/m<sup>2</sup>  
 Water absorption 0.31%

The nominal clear opening shall be 225mm with unit overall width of 290mm. Units shall be manufactured with a neutral invert of 425mm. Each unit will feature a full radius in the channel bottom and a male to female interconnecting end profile, a rubber seal shall be fitted to the bell end of the channel unit. Units shall have molded anchoring features on the outside wall to ensure maximum mechanical bond to the surrounding bedding material and pavement surface.

*Grate Unit*

Grates shall be factory fitted to MDPE bodies to provide a monolithic unit. Water intake area per 2 metre unit will be 60,320mm<sup>2</sup>.

*Pit*

See appropriate spec info for pit information.

*Installation*

The trench drain system shall be installed in accordance with the manufacturer's installation instructions and recommendations.

**ACO Pty Ltd**  
**Australia**  
 Ph: 1300 765 226  
 www.acoaus.com.au  
 sales@acoaus.com.au

© July 2017 ACO Pty Ltd. All reasonable care has been taken in compiling the information in this document. All recommendations and suggestions on the use of ACO products are made without guarantee since the conditions of use are beyond the control of the company. It is the customer's responsibility to ensure that each product is fit for its intended purpose and that the actual conditions are suitable. ACO Pty Ltd. pursues a policy of continuous product development and reserves the right to amend specifications without notice.

