

**SPECIFICATION CLAUSE  
TWINSLOT 200 WITH H200K CHANNEL  
- 2,670KG WHEEL LOAD**

**GENERAL**

THE SURFACE DRAINAGE SYSTEM SHALL BE ACO'S TWINSLOT 200 WITH SLABDRAIN H200K POLYMER CONCRETE SHALLOW CHANNEL SYSTEM WITH GALVANISED STEEL EDGE RAILS AS MANUFACTURED BY ACO.

**MATERIALS**

H200K CHANNELS SHALL BE MANUFACTURED FROM POLYESTER RESIN POLYMER CONCRETE WITH INTEGRALLY CAST-IN GALVANISED STEEL EDGE RAILS. PROPERTIES OF POLYMER CONCRETE WILL BE AS FOLLOWS WITH SUPPORTING DOCUMENTATION:

|                                       |                                |
|---------------------------------------|--------------------------------|
| COMPRESSIVE STRENGTH:                 | <b>98 MPa</b>                  |
| FLEXURAL STRENGTH:                    | <b>26 MPa</b>                  |
| TENSILE STRENGTH:                     | <b>14 MPa</b>                  |
| WATER ABSORPTION:                     | <b>0.07%</b>                   |
| FROST PROOF:                          | <b>YES</b>                     |
| COEFFICIENT OF EXPANSION/CONTRACTION: | <b>2.02x10<sup>-5</sup>/°C</b> |
| WATER VAPOUR TRANSMISSION:            | <b>0.0364g/m<sup>2</sup></b>   |
| NON FLAMMABLE:                        | <b>YES</b>                     |
| COEFFICIENT OF ROUGHNESS (MANNINGS):  | <b>n=0.011</b>                 |
| RESISTANT TO WEATHERING:              | <b>YES</b>                     |
| DILUTE ACID AND ALKALI RESISTANT:     | <b>YES</b>                     |
| SF SEALANT GROOVE                     | <b>YES</b>                     |

**CHANNELS**

H200K CHANNEL SHALL BE 200mm NOMINAL INTERNAL WIDTH WITH AN OVERALL WIDTH OF 260mm. CHANNELS SHALL HAVE AN OVERALL DEPTH OF 130mm FOR USE IN AREAS WITH DEPTH RESTRICTIONS. ALL CHANNELS SHALL BE INTERLOCKING WITH A MALE/FEMALE JOINT.

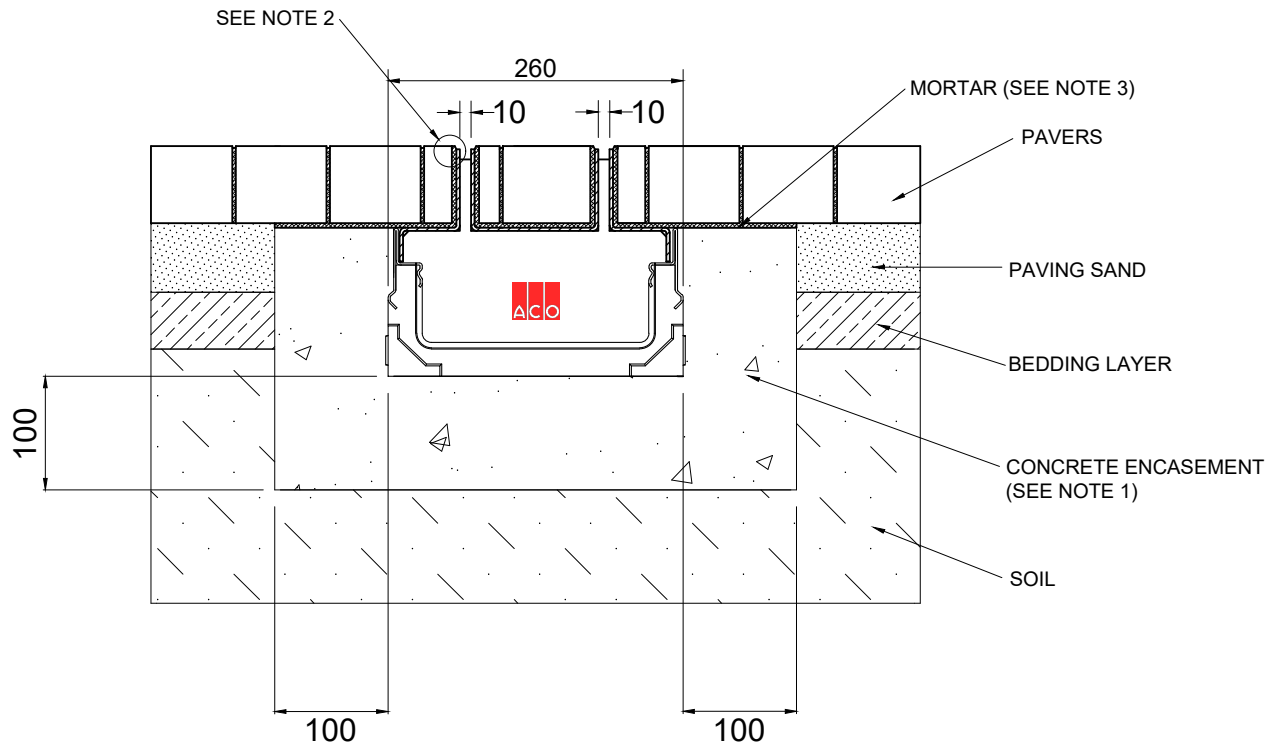
**TWINSLOT 200**

THE BRICKSLOT SHALL BE MANUFACTURED FROM GALVANISED STEEL AND HAVE MINIMUM PROPERTIES AND CHARACTERISTICS AS FOLLOWS:

- 2 x 10mm WIDE SLOTS TO BLEND IN WITH PAVING JOINTS
- MEETS AS 1428.2 (CLAUSE 9c); AS 3996 (CLAUSE 3.3.5 & 3.3.6)
- 69mm SLOT HEIGHT FOR MAXIMUM PAVER DEPTH OF 63mm
- CONNECTOR CLIP USED TO ALIGN BRICKSLOT JOINT
- INTAKE AREA OF 20,000mm<sup>2</sup> PER METRE\10,000mm<sup>2</sup> PER HALF A METRE
- ACCESS UNITS TO ALLOW ACCESS FOR MAINTENANCE TO BE LOCATED AT BOTH ENDS OF THE DRAIN, AT THE OUTLET AND/OR SPACED AT 20-30 METRE INTERVALS

**INSTALLATION**

THE COMPLETE DRAINAGE SYSTEM SHALL BE BY ACO AND TO BE INSTALLED FOR ITS INTENDED PURPOSE. ANY DEVIATION OR PARTIAL USE OF THE SPECIFIED SYSTEM AND/OR IMPROPER INSTALLATION WILL VOID ALL WARRANTIES PROVIDED BY ACO.



**NOTES:**

1. Specific site conditions may require an increase in the concrete encasement dimensions and/or reinforcement. It is the customer's responsibility to ensure the concrete encasement is designed for the application. A minimum concrete strength of 25MPa is recommended. The concrete should be vibrated to eliminate air pockets. *Engineering advice may be required.*
2. The finished level of the pavers must be approximately 3mm above the top of the channel edge.
3. The paver course adjacent to the channel edge must be fully bonded to the concrete encasement.
4. For further details, refer to ACO's design & site installation files at [www.acodrain.com.au/product-support/downloads](http://www.acodrain.com.au/product-support/downloads).

T2H2K-AB-P

**TWINSLOT 200 WITH H200K - 2,670KG WHEEL LOAD  
FOR PAVERS**



DATE: 05/20

**INSTALLATION DRAWING - ACO DRAIN**

ACO Pty Ltd  
Australia  
Ph: 1300 765 226  
[www.acodrain.com.au](http://www.acodrain.com.au)

ACO Limited  
New Zealand  
Ph: 0800 448 080  
[www.acodrain.co.nz](http://www.acodrain.co.nz)