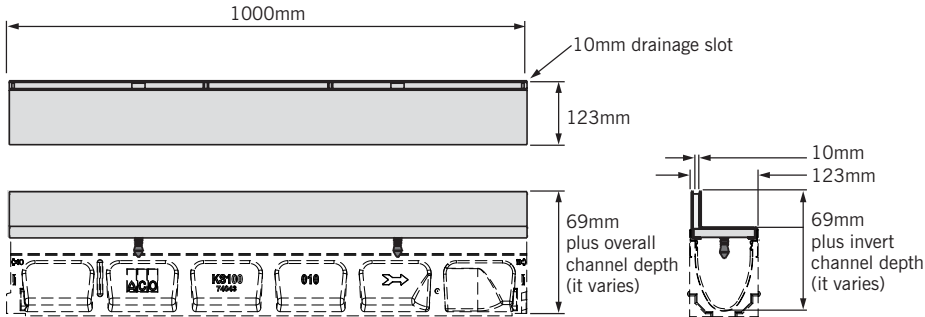


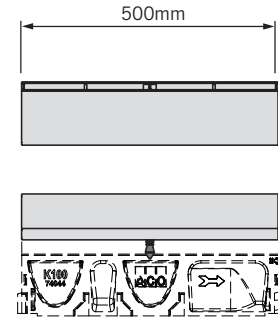
Brickslot - 10mm drainage slot for 100mm wide channel



One metre unit

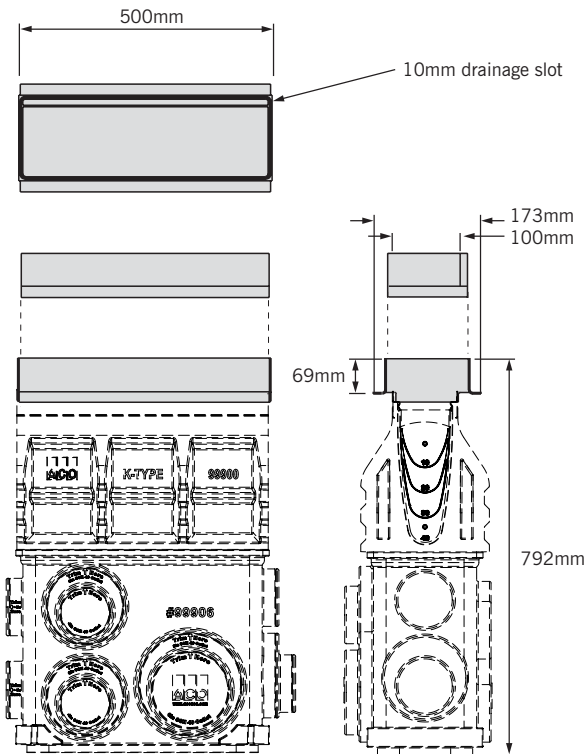


Half metre unit



Note: KlassikDrain K100/KS100 channel shown, can also be used with SlabDrain H100K/H100KS channels.

Access unit (KlassikDrain K1-901G/KS1-901S in-line pit shown, can also be used with K100/KS100/H100K/H100KS channels)



Note: Access units to allow access for maintenance to be located at both ends of the drain, at the outlet and/or spaced at 20-30 metre intervals.

ACO Specification Information

Brickslot - 10mm drainage slot for 100mm wide channel



ACO Specification Information

Description	Part No.	Invert ¹ (mm)	Weight (kg)
Brickslot - galvanised steel - (1m)	141755	Channel invert + 69	6.2
Brickslot - galvanised steel - (0.5m)	141756	Channel invert + 69	3.3
Brickslot access unit ¹ - galvanised steel - (0.5m)	141757	Channel invert + 69	4.3
Brickslot - stainless steel - (1m)	141758	Channel invert + 69	6.2
Brickslot - stainless steel - (0.5m)	141759	Channel invert + 69	3.3
Brickslot access unit ¹ - stainless steel - (0.5m)	141760	Channel invert + 69	4.3
Grate removal tool	01318	-	0.1
Brickslot connector clip ²	11143	-	-
QuickLok bar	02899	-	0.1

Notes:

1. Only access cover can be removed once system has been installed.
2. Brickslot connector clip to be used at every frame joint to align the slot.

Specifications		properties and characteristics as follows:	
<p>General</p> <p>The surface drainage system shall be ACO's Brickslot with K100/KS100/H100K/H100KS* polymer concrete channel system with galvanised/ stainless* steel edge rails as manufactured by ACO.</p> <p>Materials</p> <p>K100/KS100/H100K/H100KS* channels shall be manufactured from polyester resin polymer concrete with integrally cast-in galvanised/ stainless* steel edge rails. Properties of polymer concrete will be as follows with supporting documentation:</p> <p>Compressive Strength: 98 MPa Flexural Strength: 26 MPa Tensile Strength: 14 MPa</p>	<p>Water Absorption: 0.07%</p> <p>Frost Proof: YES</p> <p>Coefficient of Expansion/ Contraction: 2.02x10⁻⁵/°C</p> <p>Water Vapour Transmission: 0.0364g/m²</p> <p>Non Flammable: YES</p> <p>Roughness (Mannings): n=0.011</p> <p>Resistant to Weathering: YES</p> <p>Dilute Acid and Alkali Resistant: YES</p> <p>SF Sealant Groove: YES</p> <p>Channels</p> <p>K100/KS100/H100K/H100KS* channel shall be 100mm nominal internal width with an overall width of 130mm. All channels shall be interlocking with a male/female joint.</p> <p>Brickslot</p> <p>The Brickslot shall be manufactured from galvanised/stainless* steel and have minimum</p>	<p>0.07%</p> <p>YES</p> <p>2.02x10⁻⁵/°C</p> <p>0.0364g/m²</p> <p>YES</p> <p>n=0.011</p> <p>YES</p> <p>YES</p> <p>YES</p> <p>YES</p> <p>YES</p> <p>YES</p> <p>K100/KS100/H100K/H100KS* channel shall be 100mm nominal internal width with an overall width of 130mm. All channels shall be interlocking with a male/female joint.</p> <p>The Brickslot shall be manufactured from galvanised/stainless* steel and have minimum</p>	<ul style="list-style-type: none"> • 10mm wide slot to blend in with paving joints • Meets AS 1428.2 (Clause 9c); AS 3996 (Clause 3.3.5 & 3.3.6) • 69mm slot height for maximum paver depth of 63mm • Connector clip used to align Brickslot joint • Intake area of 10,000mm² per metre of Brickslot/5,000mm² per half metre of Brickslot • Access units to allow access for maintenance to be located at both ends of the drain, at the outlet and/or spaced at 20-30 metre intervals <p>Installation</p> <p>The complete drainage system shall be by ACO and to be installed for its intended purpose. Any deviation or partial use of the specified system and/or improper installation will void all warranties provided by ACO.</p> <p style="text-align: right;">*delete as appropriate</p>

**ACO Polycrete Pty Ltd
Australia**

Ph: 1300 765 226
 www.acodrain.com.au
 sales@acoaus.com.au

**ACO Limited
New Zealand**

Ph: 0800 448 080
 www.acodrain.co.nz
 sales@aconz.co.nz



© March, 2014 ACO Polycrete Pty Ltd. All reasonable care has been taken in compiling the information in this document. All recommendations and suggestions on the use of ACO products are made without guarantee since the conditions of use are beyond the control of the company. It is the customer's responsibility to ensure that each product is fit for its intended purpose and that the actual conditions are suitable. ACO Polycrete Pty Ltd. pursues a policy of continuous product development and reserves the right to amend specifications without notice.